

TECHNICAL SPECIFICATIONS:

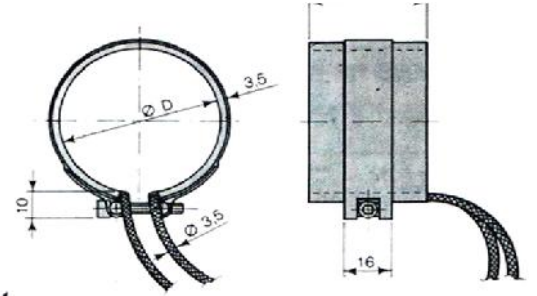
Voltage: 230V
 Power: 5W/cm²
 Standard Lead length: 1000mm
 Operating Temperature: Maximum 350 Deg. C

MATERIALS:

Resistance Winding: Nickel Chrome 80/20
 Sheath: High Conductivity Treated Steel
 Cables: Nickel Wire, Fibreglass-Teflon Protection,
 Outer Sleeve: Stainless Steel Braided Protection

SPECIAL VERSIONS AVAILABLE:

Maximum diameter 100mm
 Maximum width 60mm
 Longer lead lengths available



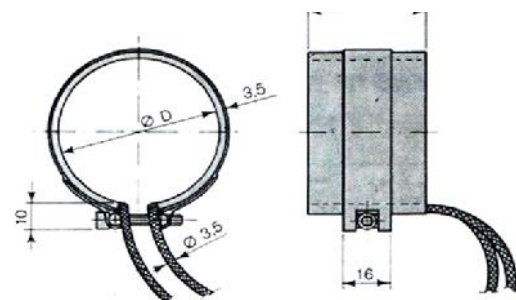
Dia .	Length	Watt	Code	Price €	
				1-4PCS	5+PCS
25	30	120	14025030	22.38	17.16
30	25	120	14030025	22.38	17.16
30	30	140	14030030	22.38	17.16
30	35	165	14030035	22.38	17.16
30	40	185	14030040	22.38	17.16
35	25	135	14035025	22.86	17.53
35	30	165	14035030	22.86	17.53
35	35	190	14035035	22.86	17.53
35	40	220	14035040	22.86	17.53
35	45	235	14035045	22.86	17.53
40	25	155	14040025	22.86	17.53
40	30	190	14040030	22.86	17.53
40	35	220	14040035	22.86	17.53
40	40	250	14040040	22.86	17.53
40	45	280	14040045	22.86	17.53
42	25	165	14042025	23.21	17.79
42	30	200	14042030	23.21	17.79
42	35	230	14042035	23.21	17.79
42	40	265	14042040	23.21	17.79
45	25	175	14045025	23.28	17.85
45	30	210	14045030	23.28	17.85
45	35	250	14045035	23.28	17.85
45	40	280	14045040	23.28	17.85
45	45	320	14045045	23.28	17.85
45	50	350	14045050	23.28	17.85
50	20	155	14050020	23.28	17.85
50	25	195	14050025	23.28	17.85
50	30	235	14050030	23.28	17.85
50	35	275	14050035	23.28	17.85
50	40	315	14050040	23.28	17.85
50	50	390	14050050	23.28	17.85
55	20	170	14055020	23.69	18.16

Dia .	Length	Watt	Code	Price €	
				1-4PCS	5+PCS
55	25	215	14055025	23.69	18.16
55	30	260	14055030	23.69	18.16
55	35	300	14055035	23.69	18.16
55	40	345	14055040	23.69	18.16
55	50	430	14055050	23.69	18.16
60	20	190	14060020	24.20	18.55
60	25	235	14060025	24.20	18.55
60	30	280	14060030	24.20	18.55
60	35	330	14060035	24.20	18.55
60	40	375	14060040	24.20	18.55
60	50	470	14060050	24.20	18.55
60	60	565	14060060	24.20	18.55
65	20	200	14065020	25.46	19.52
65	25	255	14065025	25.46	19.52
65	30	305	14065030	25.46	19.52
65	35	355	14065035	25.46	19.52
65	40	405	14065040	25.46	19.52
65	50	510	14065050	25.46	19.52
65	60	610	14065060	25.46	19.52
70	20	220	14070020	25.94	19.88
70	25	270	14070025	25.94	19.88
70	30	330	14070030	25.94	19.88
70	35	385	14070035	25.94	19.88
70	50	550	14070050	25.94	19.88
70	60	660	14070060	25.94	19.88
75	20	235	14075020	26.78	20.53
75	25	295	14075025	26.78	20.53
75	30	355	14075030	26.78	20.53
75	35	410	14075035	26.78	20.53
75	40	470	14075040	26.78	20.53
75	50	590	14075050	26.78	20.53
75	60	705	14075060	26.78	20.53

SLIM NOZZLE HEATERS (...continued)



Dia .	Length	Watt	Code	Price €	
				1-4PCS	5+PCS
80	20	250	14080020	27.68	21.22
80	25	310	14080025	27.68	21.22
80	30	375	14080030	27.68	21.22
80	35	440	14080035	27.68	21.22
80	40	500	14080040	27.68	21.22
80	50	630	14080050	27.68	21.22
80	60	750	14080060	27.68	21.22
85	20	265	14085020	28.58	21.91
85	25	330	14085025	28.58	21.91
85	30	400	14085030	28.58	21.91
85	35	465	14085035	28.58	21.91
85	40	530	14085040	28.58	21.91
85	50	665	14085050	28.58	21.91
85	60	800	14085060	28.58	21.91
90	20	280	14090020	29.42	22.55
90	25	350	14090025	29.42	22.55
90	30	420	14090030	29.42	22.55
90	35	490	14090035	29.42	22.55
90	40	565	14090040	29.42	22.55
90	50	705	14090050	29.42	22.55
90	60	845	14090060	29.42	22.55
95	20	300	14095020	30.74	23.56
95	25	370	14095025	30.74	23.56
95	30	445	14095030	30.74	23.56
95	35	520	14095035	30.74	23.56
95	40	595	14095040	30.74	23.56
95	50	745	14095050	30.74	23.56
95	60	895	14095060	30.74	23.56
100	20	315	14000020	32.42	24.85
100	25	390	14100025	32.42	24.85
100	30	470	14100030	32.42	24.85
100	35	550	14100035	32.42	24.85
100	40	630	14100040	32.42	24.85
100	50	785	14100050	32.42	24.85
100	60	940	14100060	32.42	24.85



TECHNICAL SPECIFICATIONS:

Voltage: 230V

Power: 5W/cm²

Standard Lead length: 1000mm

Operating Temperature: Maximum 350 Deg. C

MATERIALS:

Resistance Winding: Nickel Chrome 80/20

Sheath: High Conductivity Treated Steel

Cables: Nickel Wire, Fibreglass-Teflon Protection,

Outer Sleeve: Stainless Steel Braided Protection

SPECIAL VERSIONS AVAILABLE:

Maximum diameter 100mm

Maximum width 60mm

Longer lead lengths available

Holes and cut-outs to customer specifications