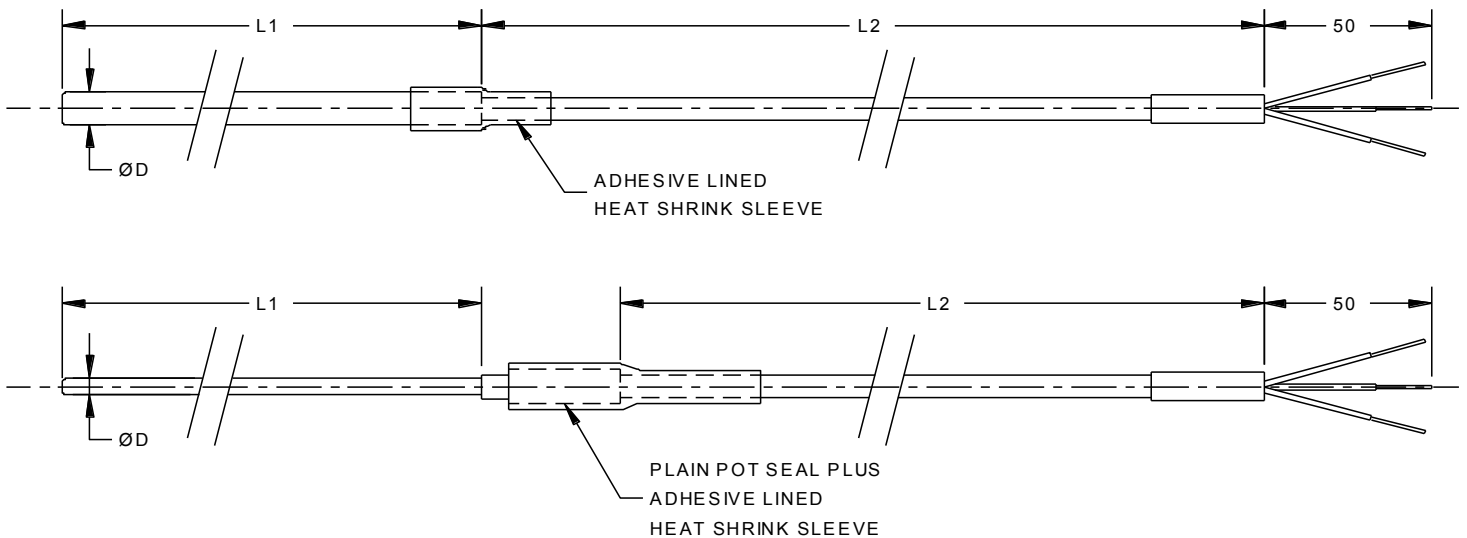
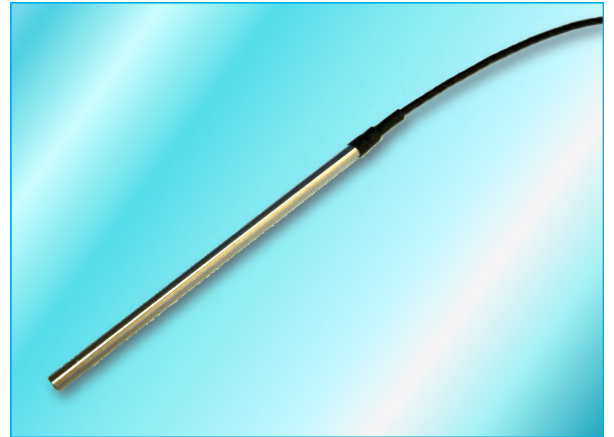


## PPL1-T

### Thermocouple Probe with Flying Lead

# THERMELEC

- Sensor Probe with Flying Lead.
- General Purpose Industrial and OEM Applications.
- Ideal for use with Compression Fittings or Pockets.
- Standard Choice of Thermocouple Types, Sheath Sizes & Lead Types.
- Manufacture to Your Requirements.
- UKAS or Traceable Calibration Available.



### Specifications

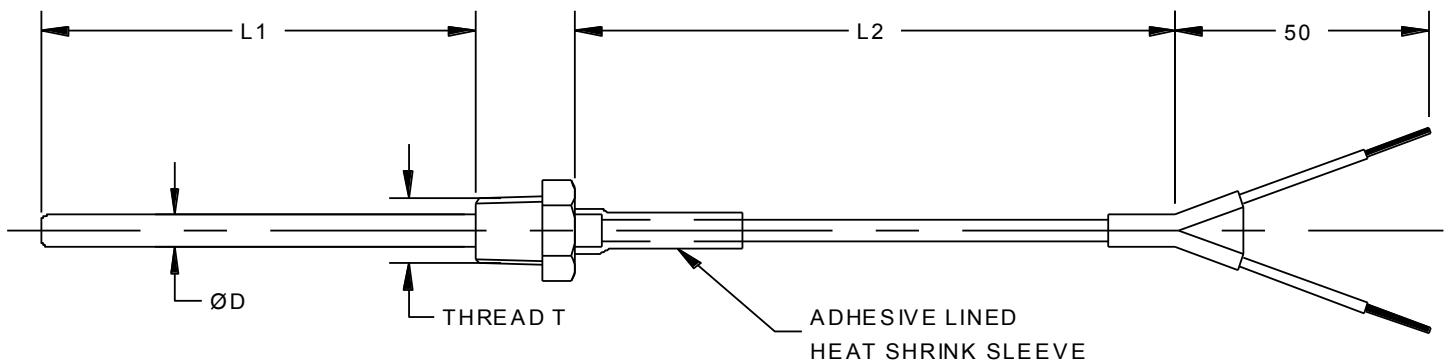
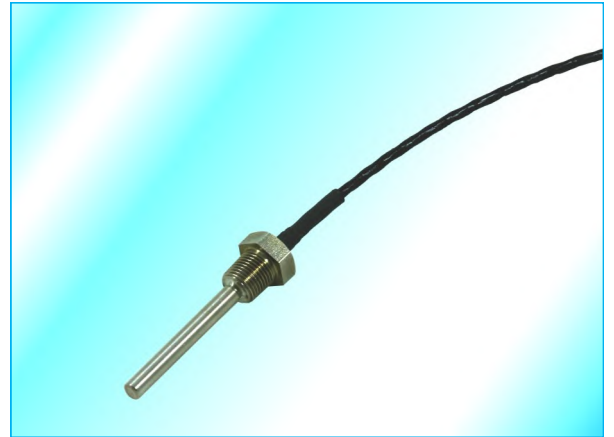
<b>Sensor Type</b>	Type J, K or T thermocouple. Insulated or Grounded hot junction.
<b>Operating Range</b>	Limited to range of lead as standard— see below—can be extended at additional cost
<b>Sheath Material</b>	316 stainless steel
<b>Tolerance Band</b>	BS EN 60584-2:1993 Class 1 or Class 2 (Determined by material availability)
<b>Wiring System</b>	Simplex or Duplex
<b>Lead Types</b>	A—PVC/PVC Screened (-10 to +105°C) B—PTFE/PTFE Screened (-200 to +250°C) C—Glass Fibre Stainless Steel Overbraid (0 to 350°C) (Other cables available upon request).

## PPL2-T

### Thermocouple with Fixed Process Connection and Lead

# THE **M** ELEC

- Sensor Probe with Flying Lead and Process Connection.
- Welded Process Connection for Easy Installation.
- No Need for Compression Fittings.
- Standard Choice of Wiring, Detectors, Sheath Sizes & Lead Types.
- Manufactured to Your Requirements.
- UKAS or Traceable Calibration Available.



### Specifications

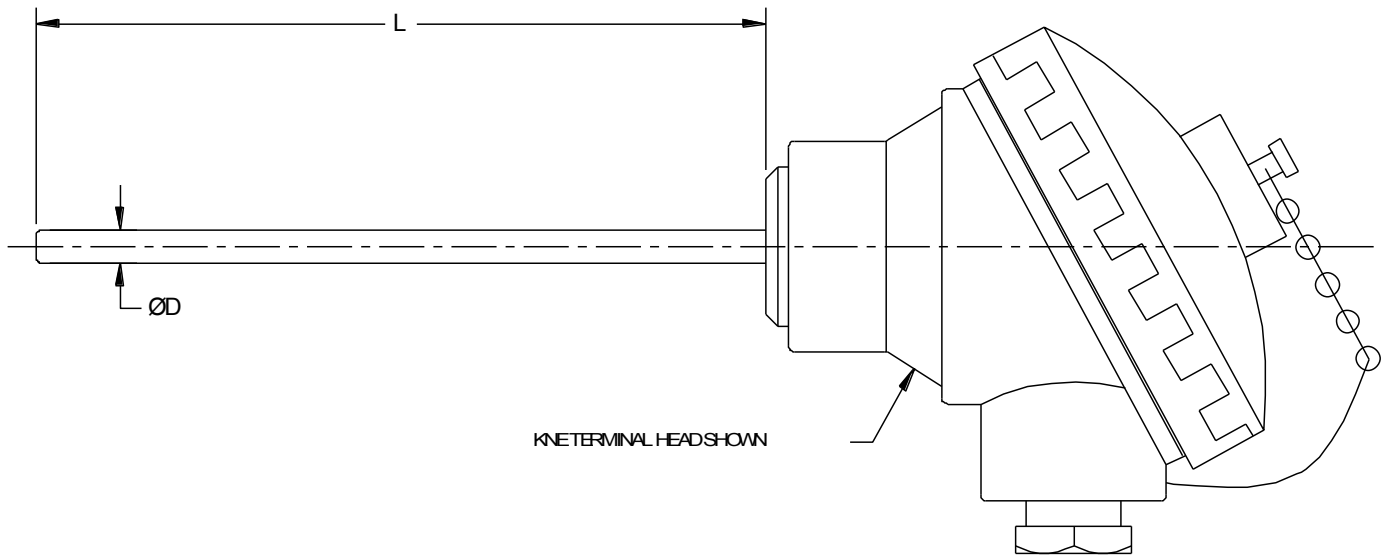
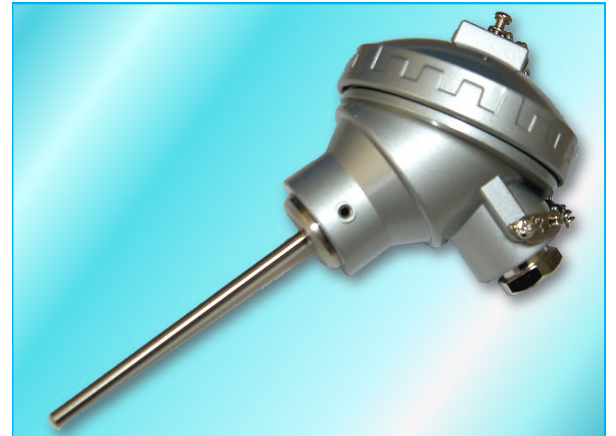
Sensor Type	Type J, K or T thermocouple. Insulated or Grounded hot junction.
Operating Range	Limited to range of lead as standard— see below—can be extended at additional cost
Sheath Material	316 stainless steel
Tolerance Band	BS EN 60584-2:1993 Class 1 or Class 2 (Determined by material availability)
Wiring System	Simplex or Duplex
Lead Types	A—PVC/PVC Screened (-10 to +105 °C) B—PTFE/PTFE Screened (-200 to +250 °C) C—Glass Fibre Stainless Steel Overbraid (0 to 350 °C) Other cables available upon request).

## PPL3-T

### Thermocouple Probe with Terminal Head

# THERMELEC

- Plain Stem Probe below Terminal Head
- Heads available in Aluminium, Stainless Steel, Nylon or ABS.
- Up to IP68 environmental protection
- Choice of Head Fittings - Block, Transmitter or Tails
- Battery powered or loop powered displays
- Ideal for Sliding Compression Fittings or Pockets



### Specifications

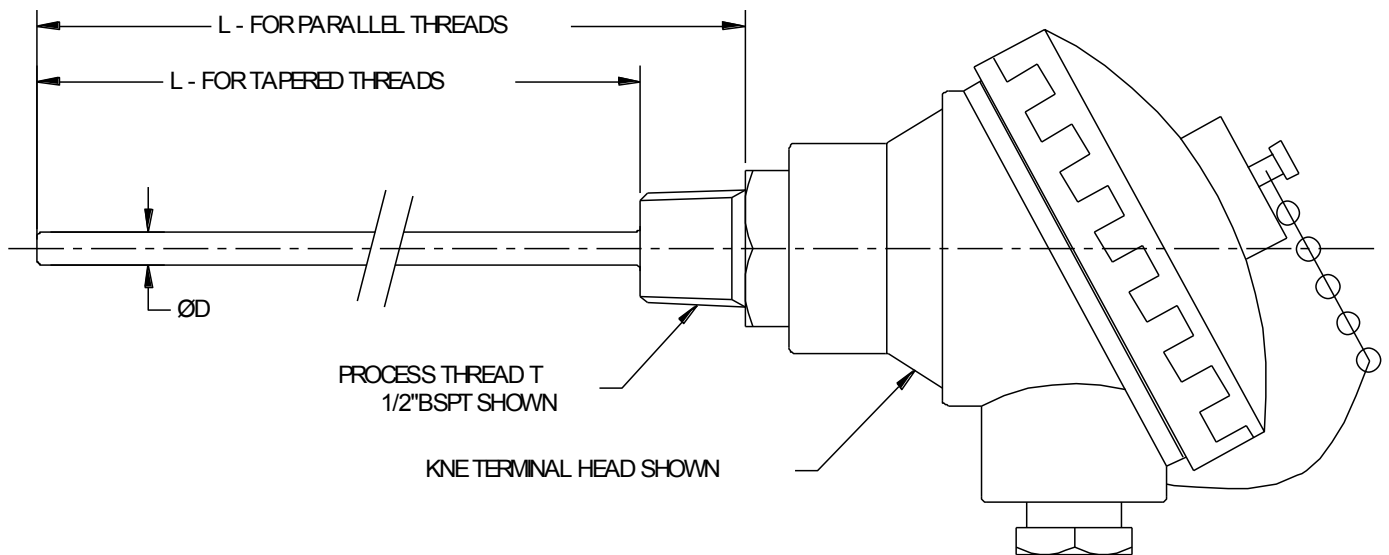
<b>Sensor Type</b>	Type K, J, T, E or N thermocouple Insulated or Grounded Hot Junction
<b>Operating Range</b>	-50 to +250°C unless otherwise requested.
<b>Sheath Material</b>	316 stainless steel
<b>Tolerance Band</b>	BS EN 60584-2:1993 Class 1 or Class 2
<b>Wiring System</b>	Simplex or Duplex
<b>Head Types</b>	A - KNE Aluminium Alloy, IP68 B - KSE Aluminium Alloy, IP68 C - ABS, IP67 D - Glass Filled Nylon, IP65 E - 316 stainless steel, IP68 (Other heads available upon request)
<b>Head Options</b>	A - Ceramic Terminal Block B - In Head Transmitter—various types C - Tails for Customers Own Transmitter

## PPL4-T

### Thermocouples with Fixed Process Connection and Terminal Head

# THERMELEC

- Stem Probe with Process Connection and Terminal Head
- Welded Process Connection with Fixed Male Process Thread under Head
- Easy Installation Direct to Process
- Can also Connect to Pockets / Thermowells
- Ideal in Cramped Spaces or if Lagging Extension Impractical
- Choice of Head Fittings and Thread Sizes



### Specifications

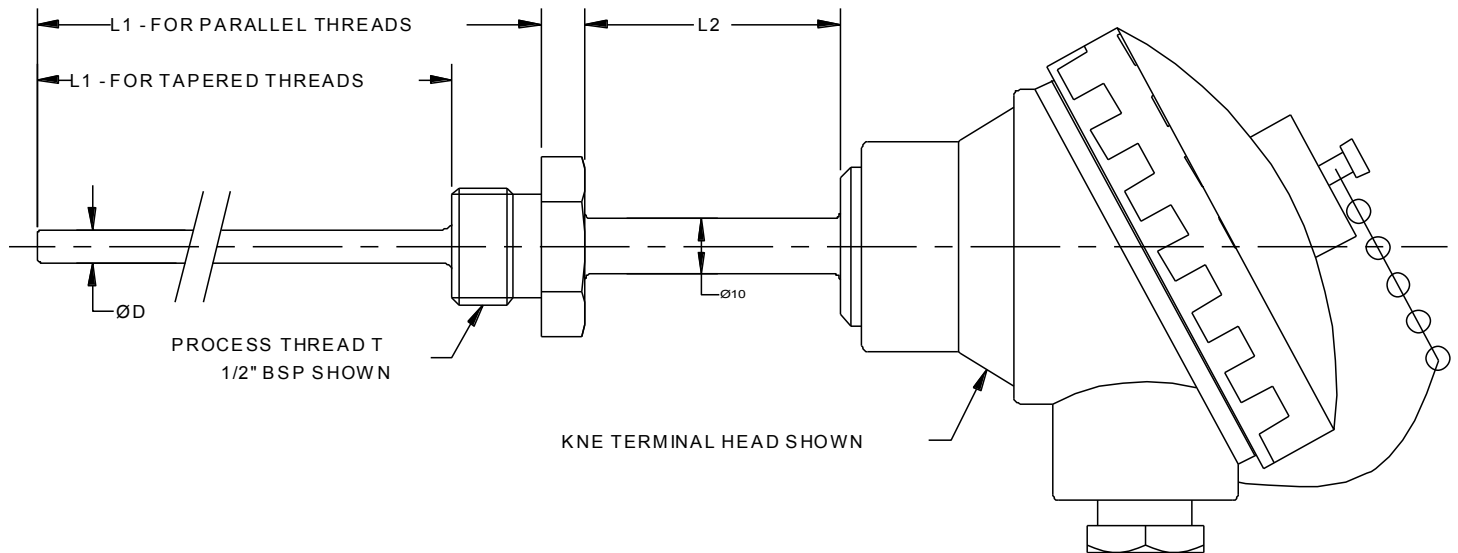
Sensor Type	Type J, K or T thermocouple.
Operating Range	-50 to +250 °C (Unless otherwise requested)
Sheath Material	316 stainless steel
Tolerance Band	BS EN 60584-2:1993 Class 1 or Class 2
Wiring System	Simplex or Duplex
Head Types	A - KNE Aluminium Alloy, IP68 B - KSE Aluminium Alloy, IP68 C - ABS, IP67 D - Glass Filled Nylon, IP65 E - 316 stainless steel, IP68 (Other heads available upon request)
Head Options	A - Ceramic Terminal Block B - In Head Transmitter—SEM203P (Specify Range) C - Tails for Customers Own Transmitter

## PPL5-T

### Thermocouple with Process Connection, Cooling Neck and Terminal Head

# THE M ELEC

- Probe with Process Thread and Extension below Terminal Head
- Fixed Male Process Thread plus Lagging Extension/ Cooling Neck.
- Screw Sensor directly into a Process or Thermowell
- Terminal Head above Insulation / Electronics in Head Protected from elevated temperatures
- Choice of Head Fittings and Thread Sizes
- Manufactured to your requirements
- UKAS or Traceable Calibration Available.



### Specifications

<b>Sensor Type</b>	Type J, K or T thermocouple.
<b>Operating Range</b>	-50 to 250 °C (Unless Otherwise Requested)
<b>Sheath Material</b>	316 stainless steel
<b>Tolerance Band</b>	BS EN 60584-2:1993 Class 1 or Class 2
<b>Wiring System</b>	Simplex or Duplex
<b>Head Types</b>	A - KNE Aluminium Alloy, IP68 B - KSE Aluminium Alloy, IP68 C - ABS, IP67 D - Glass Filled Nylon, IP65 E - 316 stainless steel, IP68 (Other heads available upon request)
<b>Head Options</b>	A - Ceramic Terminal Block B - In Head Transmitter—SEM206P (Specify Range) (Other transmitters available including ATEX) C - Tails for Customers Own Transmitter

Thermelec Ltd., Old Naas Road, Bluebell, Dublin 12

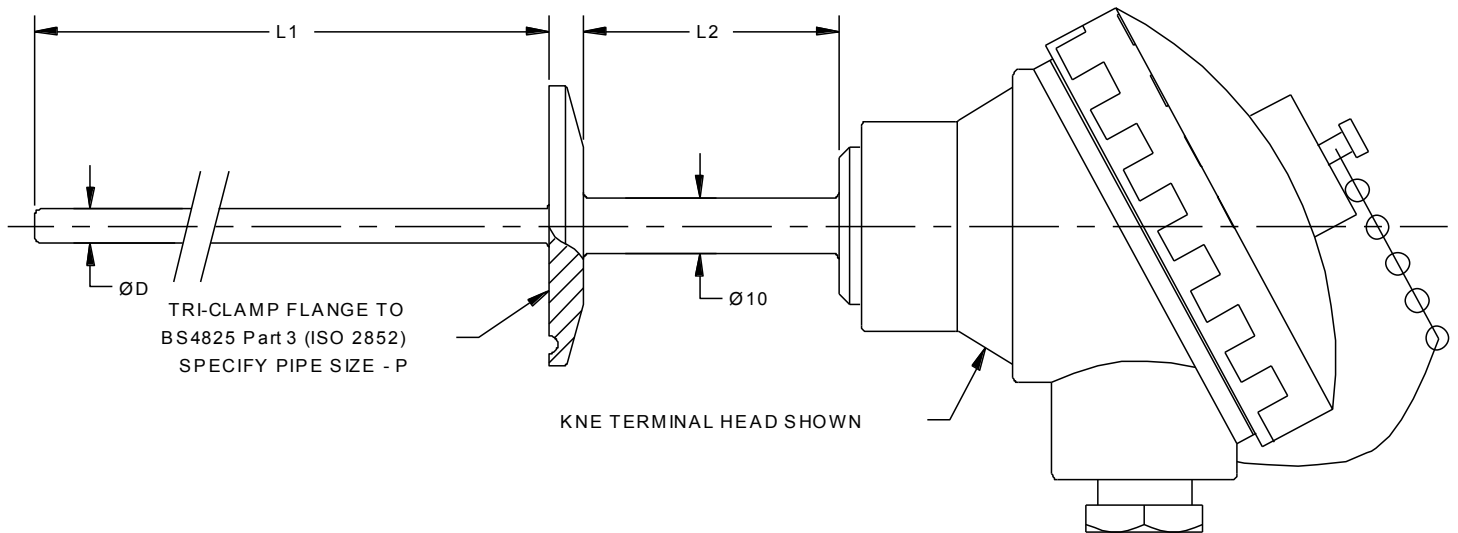
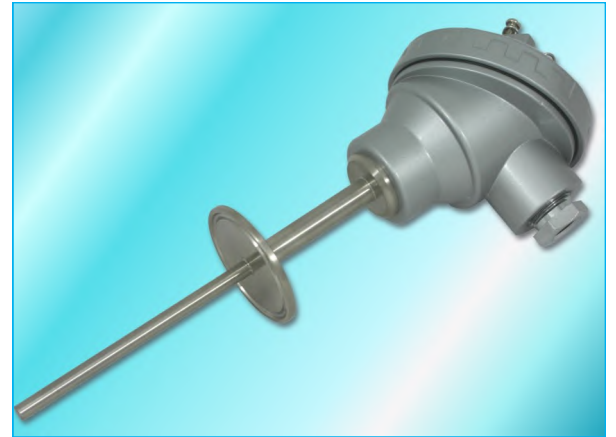
Phone (01) 4568111 • Fax: (01) 4568108 • E-mail: sales@thermelec.ie • Web: www.thermelec.ie

## PPL6-T

### Thermocouple with Hygienic Process Connection

# THERMELEC

- Rigid Stem Probe with Industry Standard Sanitary Hygienic Connection.
- Tri-Clamp, RJT and IDF and other industry standard connections.
- Crevice Free Welds for Ultimate Hygiene.
- Sanitary Applications in Brewing, Dairy and Pharmaceutical Industries
- Choice of Pipe Sizes and Terminal Head Types.
- Range of transmitter products.



### Specifications

<b>Sensor Type</b>	Type J, K or T thermocouple.
<b>Operating Range</b>	-50 to +250°C (Unless otherwise requested)
<b>Sheath Material</b>	316 stainless steel, all TIG welded construction
<b>Tolerance Band</b>	BS EN 60584-2:1993 Class 1 or Class 2
<b>Wiring System</b>	Simplex or Duplex
<b>Head Types</b>	A - KNE Aluminium Alloy, IP68 B - KSE Aluminium Alloy, IP68 C - ABS, IP67 D - Glass Filled Nylon, IP65 E - 316 stainless steel, IP68 (Other heads available upon request)
<b>Head Options</b>	A Ceramic Terminal Block B In Head Transmitter—various options available inc. HART and Intrinsically Safe. C Tails for Customers Own Transmitter

Thermelec Ltd., Old Naas Road, Bluebell, Dublin 12

Phone (01) 4568111 • Fax: (01) 4568108 • E-mail: sales@thermelec.ie • Web: www.thermelec.ie

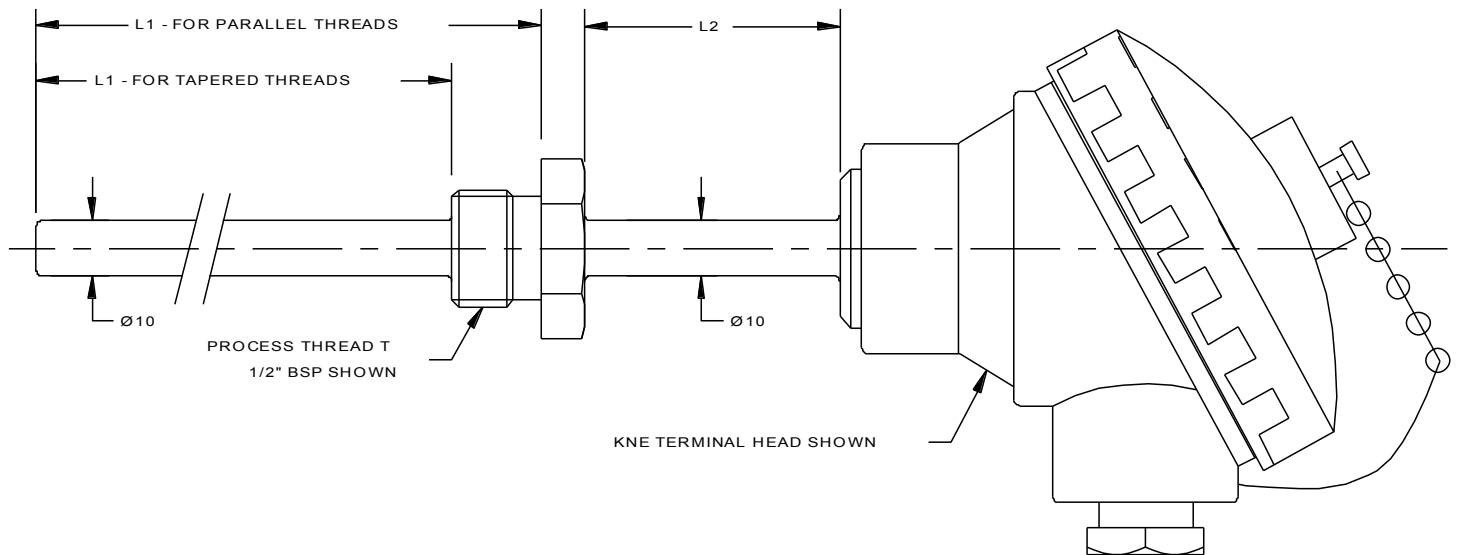
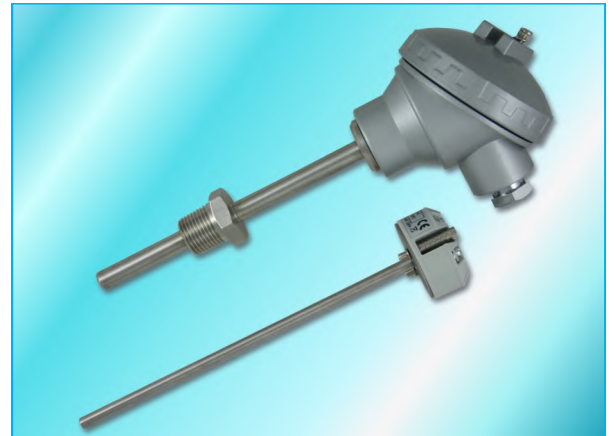


## PPL8-T

### Thermocouple with Pocket and Spring Loaded DIN Insert

# THEMMELEC

- Sensor with Pocket and Insert
- Stainless Steel Pocket Fitted into the Terminal Head
- Separate Spring Loaded Insert fitted inside Head
- Easy Sensor Withdrawal / Replacement
- Immersion Lengths and Process Connections manufactured to your requirements.
- Choice of terminal block or transmitter options.



### Specifications

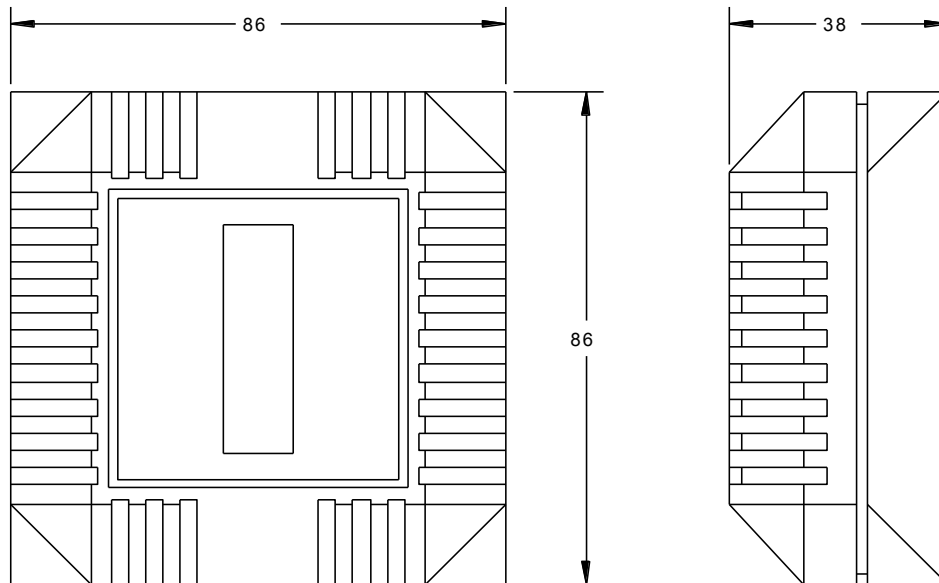
<b>Sensor Type</b>	Type J, K or T thermocouple. Other types available, please enquire.
<b>Operating Range</b>	-50 to 250°C (Unless Otherwise Requested)
<b>Sheath Material</b>	316 stainless steel
<b>Tolerance Band</b>	BS EN 60584-2:1993 Class 1 or Class 2
<b>Wiring System</b>	Simplex or Duplex
<b>Lead Types</b>	A - KNE Aluminium Alloy, IP68 B - KSE Aluminium Alloy, IP68 C - ABS, IP67 D - Glass Filled Nylon, IP65 E - 316 stainless steel, IP68 (Other heads available upon request)
<b>Head Options</b>	A - Ceramic Terminal Block B - In Head Transmitter—Various types available C - Tails for Customers Own Transmitter

## PPL9-T

### Thermocouple Room Air Temperature Sensor

# THERMELEC

- Air Temperature Sensor
- Indoor Temperature Measurement
- Housed in ventilated ABS Enclosure suitable for Dry Environments
- Ideal for HVAC applications
- Available with 4-20mA or 0-10V transmitter
- Ideal for use in offices, homes and server rooms.



### Specifications

<b>Sensor Type</b>	Type J, K or T thermocouple.
<b>Operating Range</b>	-40 to +85°C
<b>Humidity Range</b>	10 to 90% RH (Non condensing)
<b>Housing Material</b>	Beige ABS
<b>Tolerance Band</b>	BS EN 60584-2:1993 Class 1 or Class 2
<b>Wiring System</b>	Simplex or Duplex
<b>Head Options</b>	A - Nylon Terminal Block B - In Head Transmitter—Various types available. C - Mounting Plate for Customers Own Transmitter

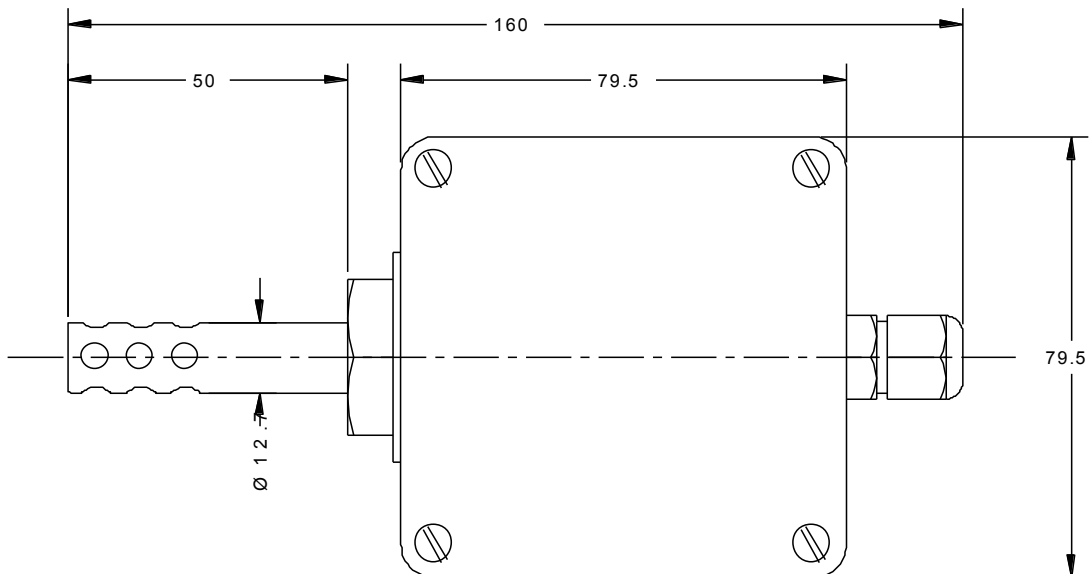
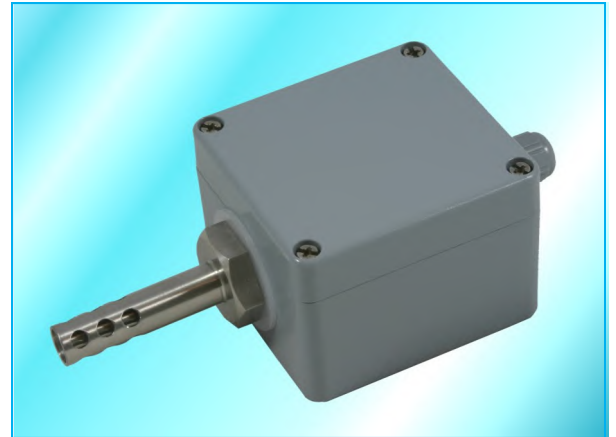


## PPL10-T

Thermocouple Exterior Air Temperature Sensor

# THERMELEC

- Rugged Air Temperature Sensor
- Outdoor Temperature Measurement
- Ideal for use in Arduous Applications
- Available with or without Protective Shroud
- Surface Mounting Housing in ABS, Aluminium or Stainless Steel
- Choice of Terminal Block or Transmitter

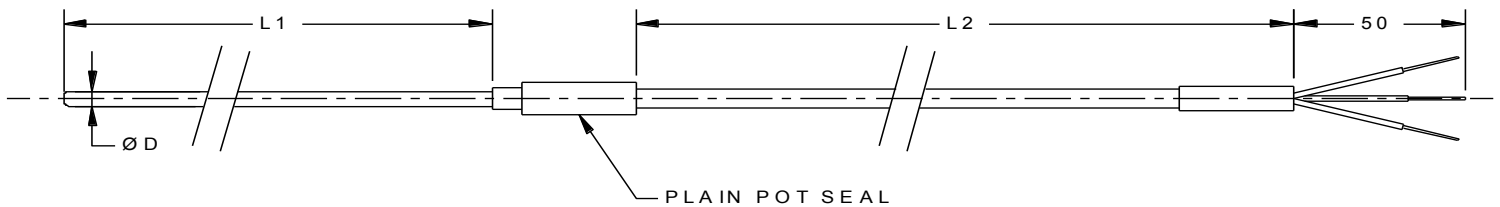
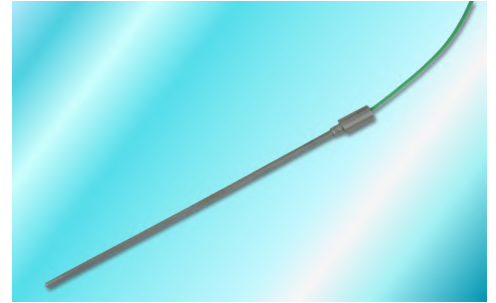


Specifications	
Sensor Type	Type J, K or T thermocouple.
Operating Range	-40 to 85°C
Sheath Material	316 stainless steel
Tolerance Band	BS EN 60584-2:1993 Class 1 or Class 2
Wiring System	Simplex or Duplex
Head Types	A - Rectangular Aluminium Alloy, IP66 (as photo) B - KF Aluminium Alloy, IP68 C - ABS, IP67 E - KFS 316 stainless steel, IP68 (Other heads available upon request)
Head Options	A - Ceramic Terminal Block B - In Head Transmitter— Various Types Available C - Tails for Customers Own Transmitter

Thermelec Ltd., Old Naas Road, Bluebell, Dublin 12

Phone (01) 4568111 • Fax: (01) 4568108 • E-mail: sales@thermelec.ie • Web: www.thermelec.ie

- Mineral Insulated Thermometer with Flying Lead
- Operating Temperatures up to 1250C
- Bend to Shape Fast Response Sensor
- Ideal for Very Long Probes
- Available in Very Small Diameters



**Specifications**

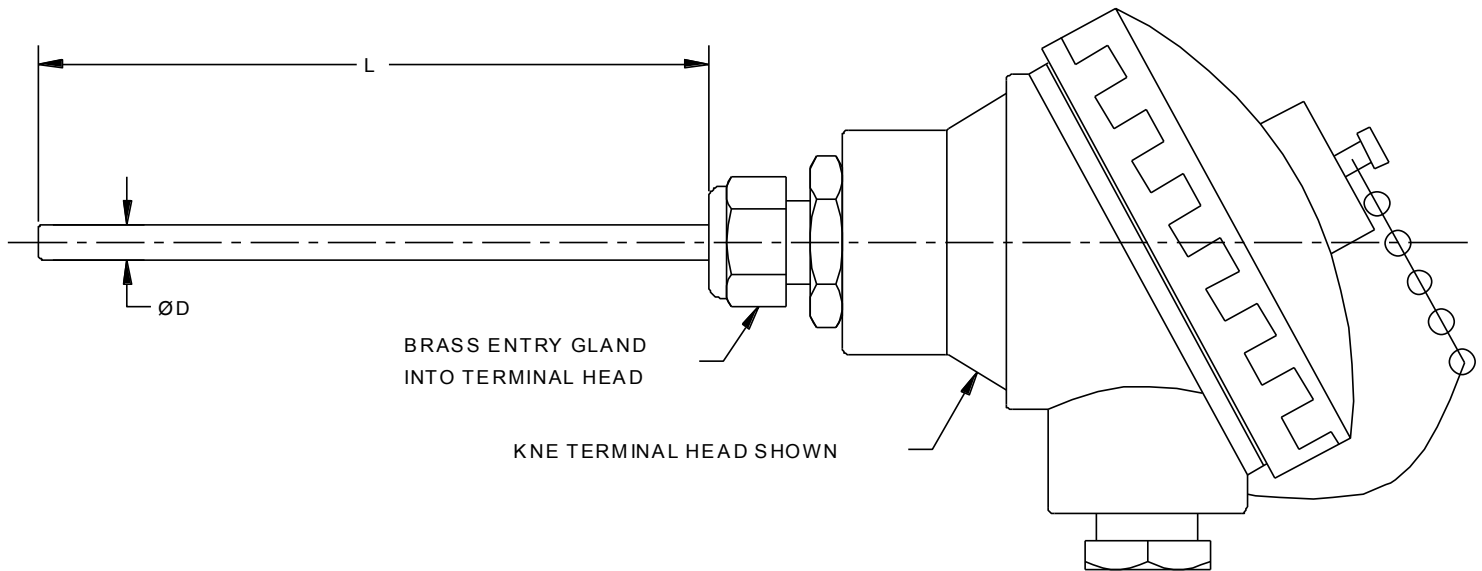
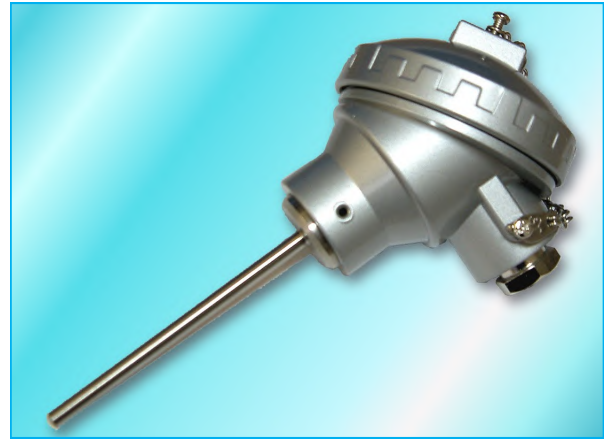
<b>Sensor Type</b>	Type J, K, T or N thermocouple. Insulated or Grounded hot junction.
<b>Sheath Material</b>	321 stainless steel 800°C 310 stainless steel 1100°C Inconel 600 1100°C Microbell 1250°C *Not all sheath materials available for all thermocouple types. Operating temperature may be limited by other factors.
<b>Tolerance Band</b>	BS EN 60584-2:1993 Class 1 or Class 2 (Determined by material availability)
<b>Wiring System</b>	Simplex or Duplex
<b>Lead Types</b>	A—PVC/PVC Screened (-10 to +105°C) B—PTFE/PTFE Screened (-200 to +250°C) C—Glass Fibre Stainless Steel Overbraided (0 to 350°C) (Other cables available upon request).

# PPL15-T

## Mineral Insulated Thermocouple Probe with Terminal Head



- Mineral Insulated Thermometer with Terminal Head
- Operating Temperatures of up to 1250C
- Suitable for a Wide Variety of Demanding Applications
- Semi-Flexible Sensor available to Almost Any Length
- Choice of Terminal Head Fittings



### Specifications

<b>Sensor Type</b>	Type J, K, T or N thermocouple.	
<b>Sheath Material</b>	321 Stainless Steel	800°C
	310 Stainless Steel	1100°C
	Inconel 600	1100°C
	Nicrobell	1250°C
<b>Tolerance Band</b>	BS EN 60584-2:1993 Class 1 or Class 2	
<b>Wiring System</b>	Simplex or Duplex	
<b>Head Types</b>	A - KNE Aluminium Alloy, IP68 B - KSE Aluminium Alloy, IP68 C - ABS, IP67 D - Glass Filled Nylon, IP65 E - 316 stainless steel, IP68 (Other heads available upon request)	
<b>Head Options</b>	A - Ceramic Terminal Block B - In Head Transmitter—various types C - Tails for Customers Own Transmitter	