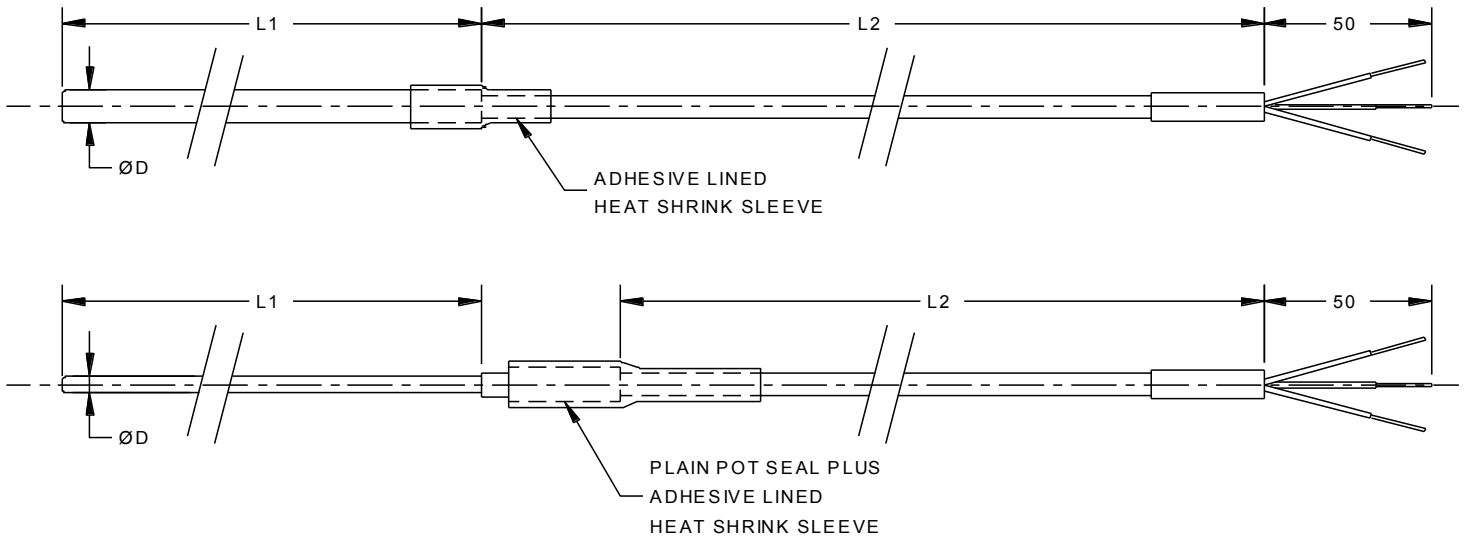
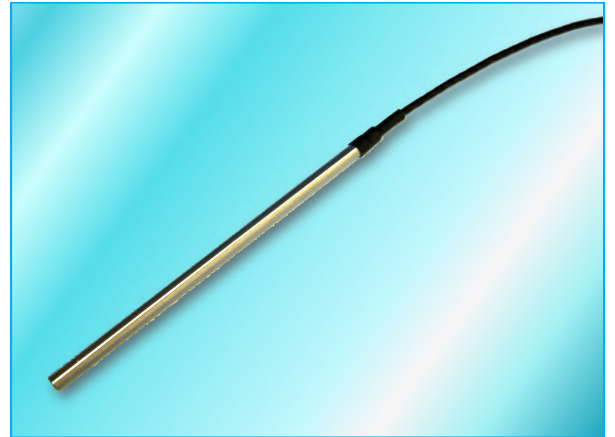


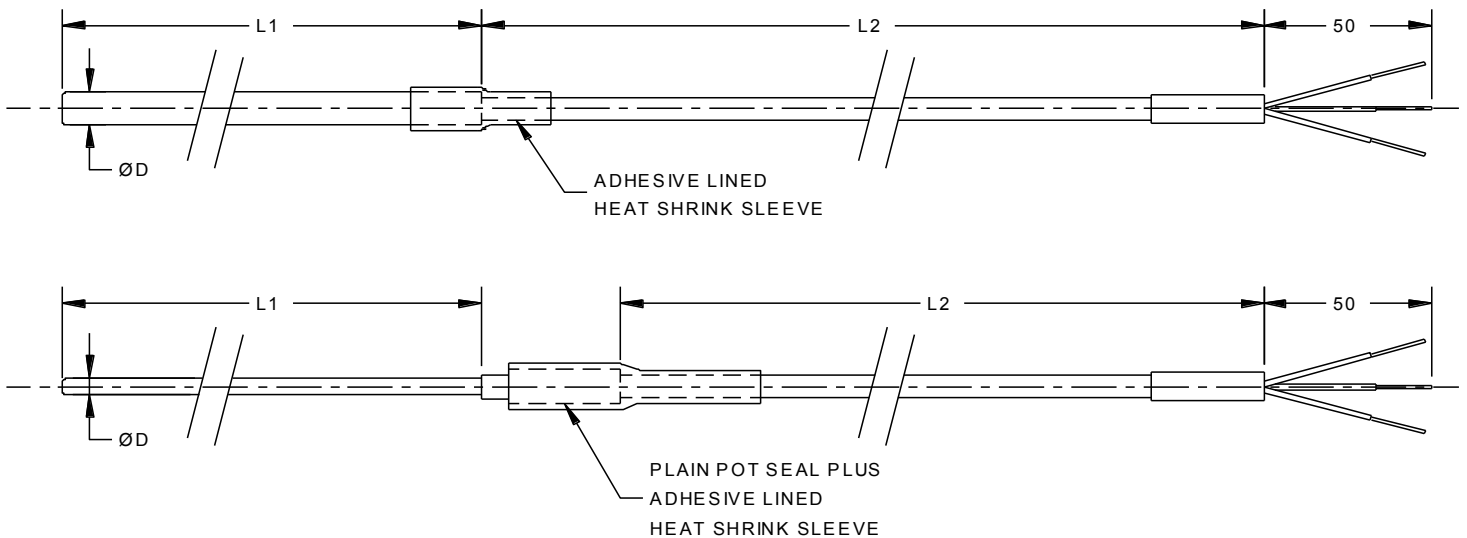
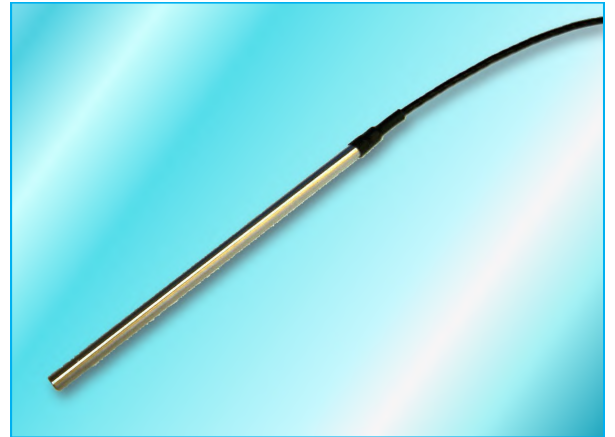
- Sensor Probe with Flying Lead.
- General Purpose Industrial and OEM Applications.
- Ideal for use with Compression Fittings or Pockets.
- Standard Choice of Wiring, Detectors, Sheath Sizes & Lead Types.
- Manufacture to Your Requirements.
- UKAS or Traceable Calibration Available.



Specifications

Sensor Type	Platinum Resistance Thermometer—Pt100 or Pt1000. Other types available—please enquire.
Operating Range	Generally limited to range of lead as standard - see below - but can be extended by request.
Sheath Material	316 stainless steel
Tolerance Band	Class B, Class A, 1/3 DIN, 1/5 DIN or 1/10 DIN
Wiring System	2, 3 or 4 wire, Simplex or Duplex
Lead Types	A - PVC/PVC Screened (-10 to +105°C) B - Silicone Rubber Unscreened (-60 to +180°C) C - PTFE/PTFE Screened (-200 to +250°C) D - Glass Fibre Stainless Steel Overbraid (0 to 350°C) (Other cables available upon request).

- Sensor Probe with Flying Lead.
- General Purpose Industrial and OEM Applications.
- Ideal for use with Compression Fittings or Pockets.
- Standard Choice of Thermocouple Types, Sheath Sizes & Lead Types.
- Manufacture to Your Requirements.
- UKAS or Traceable Calibration Available.



Specifications

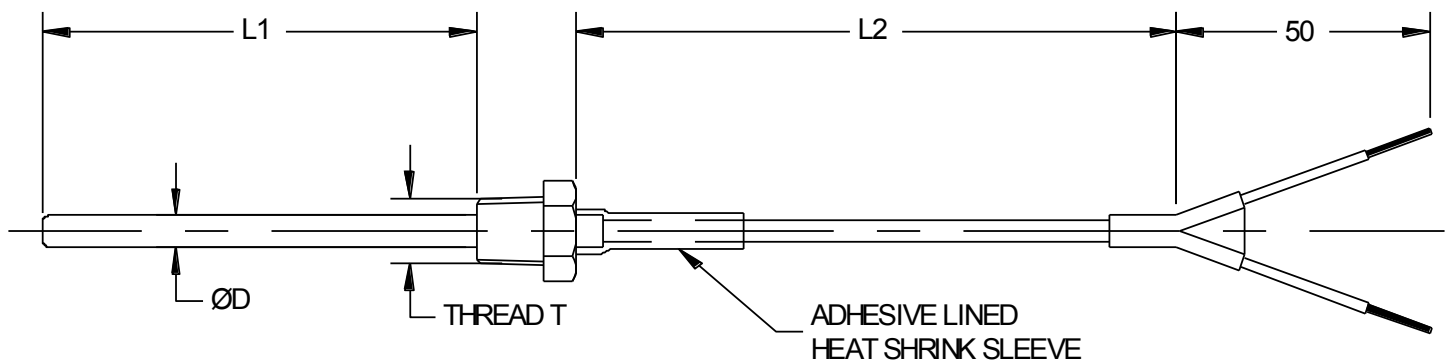
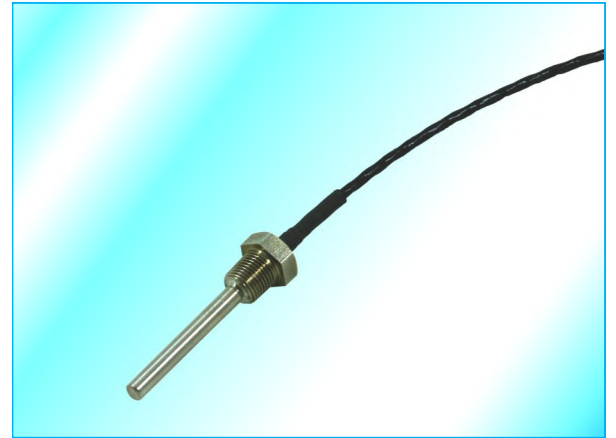
Sensor Type	Type J, K or T thermocouple. Insulated or Grounded hot junction.
Operating Range	Limited to range of lead as standard— see below—can be extended at additional cost
Sheath Material	316 stainless steel
Tolerance Band	BS EN 60584-2:1993 Class 1 or Class 2 (Determined by material availability)
Wiring System	Simplex or Duplex
Lead Types	A—PVC/PVC Screened (-10 to +105 °C) B—PTFE/PTFE Screened (-200 to +250 °C) C—Glass Fibre Stainless Steel Overbraid (0 to 350 °C) (Other cables available upon request).

PPL2-P

Resistance Thermometer with Fixed Process
Connection & Lead

THE M ELEC

- Sensor Probe with Flying Lead and Process Connection.
- Welded Process Connection for Easy Installation.
- No Need for Compression Fittings.
- Standard Choice of Wiring, Detectors, Sheath Sizes & Lead Types.
- Manufactured to Your Requirements.
- UKAS or Traceable Calibration Available.



Specifications

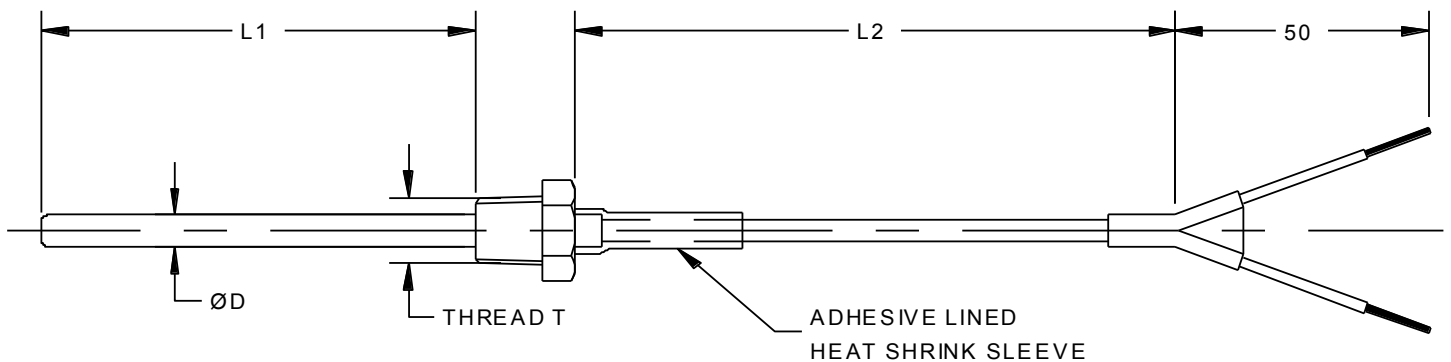
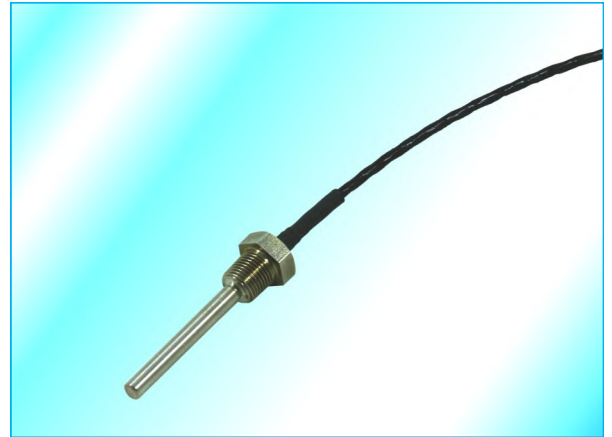
Sensor Type	Platinum Resistance Thermometer—Pt100 or Pt1000. Other types available—please enquire.
Operating Range	Generally limited to range of lead as standard - see below - but can be extended by request.
Sheath Material	316 stainless steel
Tolerance Band	Class B, Class A, 1/3 DIN, 1/5 DIN or 1/10 DIN
Wiring System	2, 3 or 4 wire, Simplex or Duplex
Lead Types	A - PVC/PVC Screened (-10 to +105°C) B - Silicone Rubber Unscreened (-60 to +180°C) C - PTFE/PTFE Screened (-200 to +250°C) D - Glass Fibre Stainless Steel Overbraid (0 to 350°C) (Other cables available upon request).

PPL2-T

Thermocouple with Fixed Process Connection and Lead

THEMMELEC

- Sensor Probe with Flying Lead and Process Connection.
- Welded Process Connection for Easy Installation.
- No Need for Compression Fittings.
- Standard Choice of Wiring, Detectors, Sheath Sizes & Lead Types.
- Manufactured to Your Requirements.
- UKAS or Traceable Calibration Available.



Specifications

Sensor Type	Type J, K or T thermocouple. Insulated or Grounded hot junction.
Operating Range	Limited to range of lead as standard— see below—can be extended at additional cost
Sheath Material	316 stainless steel
Tolerance Band	BS EN 60584-2:1993 Class 1 or Class 2 (Determined by material availability)
Wiring System	Simplex or Duplex
Lead Types	A—PVC/PVC Screened (-10 to +105 °C) B—PTFE/PTFE Screened (-200 to +250 °C) C—Glass Fibre Stainless Steel Overbraid (0 to 350 °C) Other cables available upon request).