

electric air heaters

fixed or portable installation



THERMELEC

RMO electric air heater

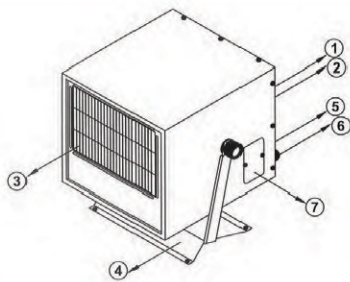
Significant advantages over other heating systems

- Non-polluting
- The purchase price of RMO unit heaters is 30% to 60% lower than other heating systems after taking into account installation costs
- Easy to install, programme and control
- Ideal for companies with triple-rate meters, as the 2 or 3 hours of high consumption needed to pre-heat premises can take place during low rate periods
- Minimum maintenance



Uses

- Electric heating of industrial premises, laboratories, churches etc.
- Programmed heating at preset times for changing rooms, dining rooms, etc.
- Rapid pre-heating of detached houses in cold areas



RMO design

1. Ventilation switch and main switch
2. Heating switch
3. Protective grille
4. 360° adjustable mounting
5. Connection for air temperature thermostat
6. Connecting cable inlet

Air temperature

RMO appliances are designed for heating premises. An air temperature thermostat should be fitted to prevent air temperature on the premises from exceeding 35°C. At higher temperature, the temperature cut-out

RMO range: build specifications

- Advanced design casing, finished with paint dried at 150°C
- 360° adjustable mounting for wall or ceiling fitting
- Front protective grille
- Silent ventilator
- Hot or cold air indicator
- Safety thermostat
- Integrated earth connection
- All models, except the RMO4, are fitted with air temperature thermostat and switch operation connections



Individual features of the RMO range

RMO4 / RMO4A

Unit heaters designed for small premises and one or two-person workplaces. One or two heat settings plus a single ventilator function. 1100 mm long mains connecting cable.

RMO6 / RMO9

Unit heaters designed for mixed use: small or medium-sized premises, or large premises where widely distributed heat sources are required. One heat setting plus a single ventilator function. Three-phase input with multiple connection options easily configurable at the junction box.

RMO13 / RMO18

Unit heaters designed for heating large premises. One heat setting plus a single ventilator function. Three-phase input with multiple connection options easily configurable at the junction box. The RMOB13.5 and RMOB18 incorporate stainless steel shielded tubular resistor arrays. The RMOB models incorporate an automatic function that, after air temperature thermostat or safety shut-down, keeps the ventilator running while the resistors are still hot.

ANB electric air heater

Vertical orientation

By means of a simple action on the side handle you can vertically orientate the heater in five fixed positions:



Recommended operating angle for:

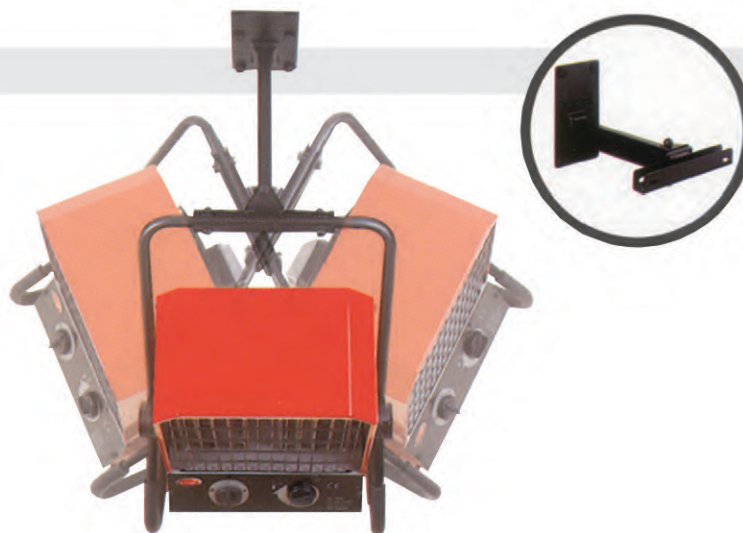
Portable operation: _____ +20°, 0°, -18°

Fixed operation: _____ -18° to -54° depending on distance to

180° rotation

The ANB electric air heaters are portable devices that can be used as fixed wall operation implements at any height, complying rules, with the wall fixing add-on.

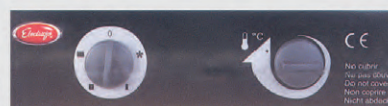
The wall fixing add-on allow the heater to be orientated in any direction thanks to its up to 180° rotating capability.



Safety

Safety is the most important concern in our heaters' design:

Manual reset over-temperature switch-off, special base design that prevents the air intake and output from being accidentally closed by proximity to walls or other rigid things, protected base that avoid wear-off caused by vibration or friction, protecting grids that eliminate the risk of direct contact with the fan or indirect contact with the heater shield.



Detailed and comprehensive four-language operation manual.

Multiuise

The ANB electric air heaters are designed to be used without distinction as portable devices or fixed wall installation at any height.

Easily installed as portable or fixed operation.

Mains power supply by CETAC five-pole connector supplied with the heater.



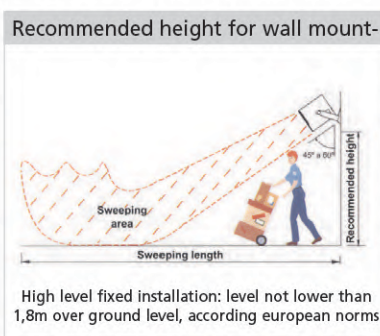
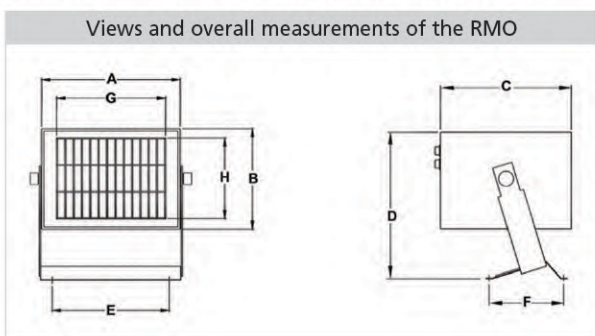
RMO electric air heater

- Class 1 electrical device
- Reliable, compact and tough
- Fixed ceiling or high wall mounting (minimum installation height 1.8 mts.)
- Allows the hot-air stream to be focused

Features and technical specifications of the range

Model	Output m ³ /h	Heating		Operating voltage(*)	Sound pressure	Operation				Dimensions in mm.								Price
		KWK	cal/h			0°	1°	2°	3°	A	B	C	D	E	F	G	H	
RMO4	430	3.6	3100	230	≈50	3	YES	1.8	1.8	303	245	207	305	273	157	273	217	€399
RMO4A	430	3.6	3100	2-400	≈50	3	YES	1.8	1.8	303	245	207	305	273	157	273	217	€440
RMO6	690	6	5160	3-400	≈50	2	YES	6	-	303	245	260	338	273	157	273	217	€495
RMOB6	690	6	5160	3-400	≈50	2	YES	6	-	400	287	380	427	355	230	345	230	€555
RMO9	875	9	7740	3-400	≈55	2	YES	9	-	400	287	380	427	355	230	345	230	€698
RMOB9	875	9	7740	3-400	≈55	2	YES	9	-	407	390	450	520	355	230	340	225	€675
RMO13.5	1490	13,5	11610	3-400	≈60	2	YES	13,5	-	407	390	450	520	355	230	340	225	€965
RMOB13.5	1490	13,5	11610	3-400	≈61	2	YES	13,5	-	407	390	450	520	355	230	340	225	€895
RMO18	1490	18	15480	3-400	≈60	2	YES	18	-	407	390	450	520	355	230	340	225	€995
RMOB18	1490	18	15480	3-400	≈61	2	YES	18	-	407	390	450	520	355	230	340	225	€949

Code	Description	Price
129475000	Wall Bracket for RMO and RMOB	€20



Model	Recommended height	Sweeping length
RMO4	1,8 to 2 m	4 m
RMO4A	1,8 to 2 m	4 m
RMO6	1,8 to 2,2 m	6 m
RMOB6	1,8 to 2,2 m	6 m
RMO9	2 to 2,5 m	7 m
RMOB9	2 to 2,5 m	9 m
RMO13.5	2 to 3 m	12 m
RMOB13.5	2 to 3 m	12 m
RMO18	2 to 3 m	12 m
RMOB18	2 to 3 m	12 m

ANB electric air heater

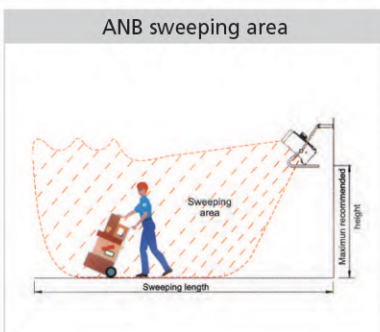
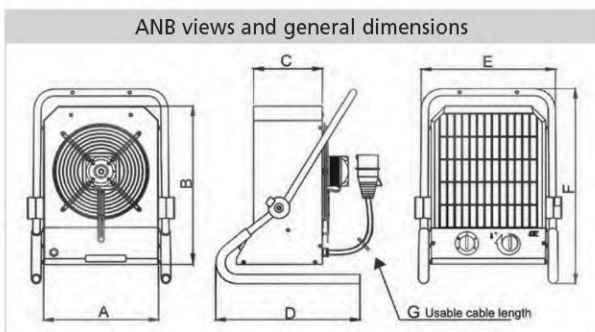
- The ANB electric air heater complies with EN 60335-1 norm and its correspondent 2-30
- The ANB heater is a class 1 device, with triphasic supply with neutral and ground connections
- It can be used as portable or fixed implement at any height
- The air flow can be vertically and horizontally orientated

Features and technical specifications of the range

Model	Output m ³ /h	Heating		Operating voltage	Sound pressure	Operation					Dimensions in mm.							Price		
		Kw	Kcal/h			V	level db	0	*	■	■	■	A	B	C	D	E		F	G
								Stop	1/3 Heater Ventilation	2/3 Heater Power	Full Heater Power	Power								
ANB3.6	210	3,6	3100	≈230	≈50							220	338	172	349	274	445	1700	€395	
ANB3.6SN	210	3,6	3100	3-400	≈50							220	338	172	349	274	445	1700	€455	
ANB3.6B	210	3,6	3100	3-400	≈50							220	338	172	349	274	445	1700	€435	
ANB6	465	6	5160	3-400	≈50							268	338	192	360	324	470	1700	€510	
ANB6SN	465	6	5160	3-400	≈50							268	388	172	360	324	470	1700	€565	
ANB9	975	9	7740	3-400	≈45							320	440	192	408	374	545	1700	€575	
ANB12	1390	12	10320	3-400	≈50							366	486	285	470	420	625	2100	€739	
ANB17	1390	17	14620	3-400	≈50							366	486	285	470	420	625	2100	€798	

Code	Description	Price
129098000	Wall Bracket for ANB3.6 to ANB9	€35

Code	Description	Price
129130000	Wall Bracket for ANB12 to ANB17	€35



Model	Recommended height	Sweeping length
ANB3.6	ON APPLICATION	
ANB3.6SN	ON APPLICATION	
ANB3.6B	ON APPLICATION	
ANB4	1,8 to 2 m	2,5 m
ANB6	1,8 to 2,2 m	4,2 m
ANB9	2 to 2,5 m	4,2 m
ANB12	2 to 3 m	7,2 m
ANB17	2 to 3 m	7,2 m