

TECHNICAL SPECIFICATIONS:

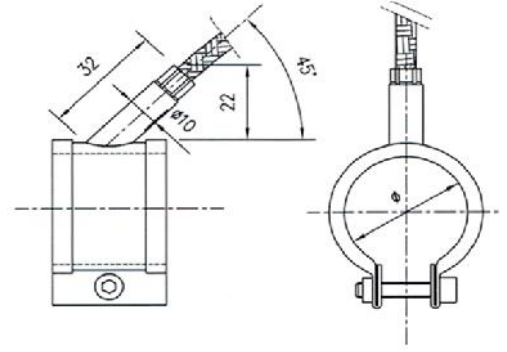
Voltage: 230V
 Power: 5W/cm²
 Standard Lead length: 1000mm
 Operating Temperature: Maximum 350 Deg. C

MATERIALS:

Resistance Winding: Nickel Chrome 80/20
 Sheath: High Conductivity Treated Steel
 Cables: Nickel Wire, Fibreglass-Teflon Protection,
 Outer Sleeve: Stainless Steel Braided Protection

SPECIAL VERSIONS AVAILABLE:

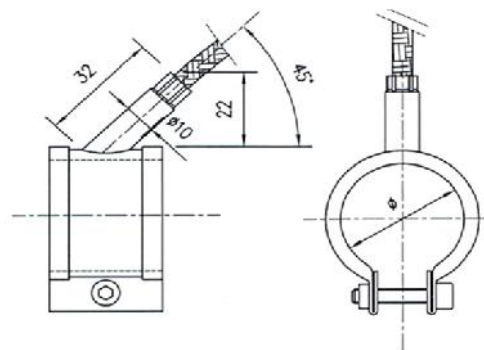
Maximum diameter 100mm
 Maximum width 100mm
 Longer lead lengths available
 Holes and cut-outs to customer specifications



Dia .	Length	Watt	Code	Price €	
				1-4PCS	5+PCS
25	30	120	29025030	23.70	18.17
30	25	120	29030025	23.70	18.17
30	30	140	29030030	23.70	18.17
30	35	165	29030035	23.70	18.17
30	40	185	29030040	23.70	18.17
35	25	135	29035025	24.20	18.55
35	30	165	29035030	24.20	18.55
35	35	190	29035035	24.20	18.55
35	40	220	29035040	24.20	18.55
35	45	235	29035045	24.20	18.55
40	25	155	29040025	24.60	18.86
40	30	190	29040030	24.60	18.86
40	35	220	29040035	24.60	18.86
40	40	250	29040040	24.60	18.86
40	45	280	29040045	24.60	18.86
42	25	165	29042025	24.60	18.86
42	30	200	29042030	24.60	18.86
42	35	230	29042035	24.60	18.86
42	40	265	29042040	24.60	18.86
45	25	175	29045025	24.89	19.08
45	30	210	29045030	24.89	19.08
45	35	250	29045035	24.89	19.08
45	40	280	29045040	24.89	19.08
45	45	320	29045050	24.89	19.08
45	50	350	14045050	24.89	19.08
50	25	195	29050025	25.46	19.52
50	30	235	29050030	25.46	19.52
50	35	275	29050035	25.46	19.52
50	40	315	29050040	25.46	19.52
50	50	390	29050050	25.46	19.52
55	25	215	29055025	26.21	20.09
55	30	260	29055030	26.21	20.09

Dia .	Length	Watt	Code	Price €	
				1-4PCS	5+PCS
55	35	300	29055035	26.21	20.09
55	40	345	29055040	26.21	20.09
55	50	430	29055050	26.21	20.09
60	25	235	29055060	26.21	20.09
60	30	280	29060030	26.21	20.09
60	35	330	29060035	26.21	20.09
60	40	375	29060040	26.21	20.09
60	50	470	29060050	26.21	20.09
60	60	565	29060060	26.21	20.09
65	25	255	29065025	27.03	20.72
65	30	305	29065030	27.03	20.72
65	35	355	29065035	27.03	20.72
65	40	405	29065040	27.03	20.72
65	50	510	29065050	27.03	20.72
65	60	610	29065060	27.03	20.72
70	25	270	29070025	28.23	21.64
70	30	330	29070030	28.23	21.64
70	35	385	29070035	28.23	21.64
70	40	440	29070040	28.23	21.64
70	50	550	29070050	28.23	21.64
70	60	660	29070060	28.23	21.64
75	25	295	29075025	29.42	22.55
75	30	355	29075030	29.42	22.55
75	35	410	29075035	29.42	22.55
75	40	470	29075040	29.42	22.55
75	50	590	29075050	29.42	22.55
75	60	705	29075060	29.42	22.55
80	25	310	29080025	30.18	23.14
80	30	375	29080030	30.18	23.14
80	35	440	29080035	30.18	23.14
80	40	500	29080040	30.18	23.14
80	50	630	29080050	30.18	23.14

SEALED NOZZLE HEATERS (...continued)



Dia .	Length	Watt	Code	Price €	
				1-4PCS	5+PCS
80	60	750	29080060	30.18	23.14
85	25	330	29085025	31.02	23.78
85	30	400	29085030	31.02	23.78
85	35	465	29085035	31.02	23.78
85	40	530	29085040	31.02	23.78
85	50	665	29085050	31.02	23.78
85	60	800	29085060	31.02	23.78
90	25	350	29090025	31.79	24.37
90	30	420	29090030	31.79	24.37
90	35	490	29090035	31.79	24.37
90	40	565	29090040	31.79	24.37
90	50	705	29090050	31.79	24.37
90	60	845	29090060	31.79	24.37
95	25	370	29095025	32.70	25.07
95	30	445	29095030	32.70	25.07
95	35	520	29095035	32.70	25.07
95	40	595	29095040	32.70	25.07
95	50	745	29095050	32.70	25.07
95	60	895	29095060	32.70	25.07
100	25	390	29100025	33.39	25.60
100	30	470	29100030	33.39	25.60
100	35	550	29100035	33.39	25.60
100	40	630	29100040	33.39	25.60
100	50	785	29100050	33.39	25.60
100	60	940	29100060	33.39	25.60

TECHNICAL SPECIFICATIONS:

Voltage: 230V

Power: 5W/cm²

Standard Lead length: 1000mm

Operating Temperature: Maximum 350 Deg. C

MATERIALS:

Resistance Winding: Nickel Chrome 80/20

Sheath: High Conductivity Treated Steel

Cables: Nickel Wire, Fibreglass-Teflon Protection,

Outer Sleeve: Stainless Steel Braided Protection

SPECIAL VERSIONS AVAILABLE:

Maximum diameter 100mm

Maximum width 100mm

Longer lead lengths available

Holes and cut-outs to customer specifications